

Leader

Shandong Gaochuang CNC Equipment co., Ltd

Portable Plasma Torch Height Controller Manual

(Type: F1620)

JiaXing Leader NC technology Co., LTD.

2014-12

Portable Plasma Torch Height Controller Manual

(Type: F1620)

JiaXing Leader NC technology Co., LTD.

2014-12

Version	Date	Page	Description
V1.0	2012/10/10	All	The new version created
V1.1	2014/09/12	iv	MAX range: 21.6VDC-26.4VDC

User Guide

Read this Manual

This manual is used to the Plasma Torch Height Controller (F1620) produced by JiaXing Leader NC technology Co., Ltd.. Read and understand this manual, the cutting machine manuals and local security regulation before use carefully.

Note: This product is not designed to be field serviceable. Please return back to the after-sales (service) center for any required service.

Address: Room 711, NO.955, Rd. Jianchuan, Woxiangwojia mansion, MinHang, Shanghai, China

Tel: 021-34290970

After-sales: 021-34121295 **Fax:** 021-34290970

E-mail: support@flcnc.com; sales@flcnc.com

Website: www.flcnc.com

Work condition

- Working Temperature, 0°C~50°C. Relative Humidity, 5~95%.
- Operation Voltage: 24VDC. MAX range: 21.6VDC-26.4VDC.
- The THC should be installed in a cab which can provide protection from powder.
- The THC should be better used in the situation without high electromagnetic radiation.

Maintenance

- This controller should only be operated by trained service person.
- Do not open the controller unless obtaining the authorization.
- Do not let any acid or alkalescency substance to corrode the controller and the divide board.
- Please turn off power supply if the controller does not need to work.

Safety notice

- This THC will switch in high electromagnetic, it can hurt me if we get to touch with high electromagnetic. Do not touch shield cable and wire when power supply is turning on.
- Packing pieces must be installed in accordance with the provisions and requirements of step.
- GND must follow THC instruction.

Installation note

- **THC first check on electrical safety** : Before THC first power, making all port of wiring connected, then unplug motor cable, in other words, do not connect lifting motor cable temporarily. Then powering on. **(warning: Motor cable must be unplug before powering on, otherwise, the reason why the lift motor has been rising (declining) is that may be received collision signal, it can injury lifting motor)**

- **Check whether the collision function is normal**: After THC power on, check whether the collision detection function is normal, by observing the collision indicator light to determine whether the normal. Of the following circumstances:

1) If the collision indicator light is turning on, really need to check whether a collision, for example, whether proximity switch is divorce, whether torch retaining cap and steel is touching.

If we only use torch retaining cap to detect collisions, separated from the protective cap and cutting steel. Because there is no contact with torch retaining cap and steel, the meaning that the collision have not take place, the collision indicator light should be take off.

If we only use proximity switch to detect collisions, parameter **P13** should be set to **1**, the meaning that allow the use of proximity switch detects a collision signal. Under normal circumstances, the collision indicator light is turning on when proximity switch is divorce; the collision indicator light is breaking down when proximity switch is not divorce. If we use in scene, the collision indicator light is breaking down when proximity switch is divorce, or the collision indicator light is turning on when proximity switch is not divorce, it explain that the description of the received signal and the normal, **L09** need to set the value of the inverse. After parameter is set correctly, proximity switch can accurately reflect the situation of collision.

If we use proximity switch and torch retaining cap to detect collisions at

the same time, need to check respectively each set whether can accurately reflect the situation of collision. If a certain way is failing, please use their method by alone to troubleshoot and fix, until it can accurately reflect the situation of collision.

2) If the collision indicator light is breaking off, please make some collision conditions by man, check whether the collision indicator light can be turned on. For example, when we use torch retaining cap to detect collisions, if we make torch retaining cap and cutting steel short circuit by metal screwdriver, the collision indicator light should be turned on. Or when we use proximity switch, if we make torch connector crooked by hand, make proximity switch take off, the THC collision indicator light should be turned on. If make visible collision conditions by man and the collision indicator light cannot be turned on, we need to check whether the parameters can be set orderly.

- **Switching in lift motor safely:** After the detection of THC collision have debug and used normally, please remove all conditions which can made collision, at the same time, THC collision indicator light should be broken off . Then turning off power source of THC and connecting the lift motor cable.
- **Check whether direction of lift move is true:** After motor cable have been linked, power-on ,when check whether the button named **【▲】** in THC faceplate is pressed, observe whether the lift body is rising; when the button named **【▼】** is pressed, observe whether the lift body is declining. If the button named **【▲】** is pressed, the lift body is declining rather than rising, or if the button named **【▼】** is pressed, the lift body is rising rather than declining, it means that direction of motor rotation is not true. Please enabling the value of **P12**, or exchange two cable of lifting motor. It is best that ensure the button **【▲】** and **【▼】** in THC faceplate is consistent with direction of the lift body move.
- **Check arc start and used for IHS(initial height sensing):** check whether start arc by pushing button of **【text arc start】** and check whether accomplish the initial positioning by pushing button of **【text used for IHS】** .
- **Putting in Arc voltage cable true:** The wire of plasma arc voltage and cable of checking collision must be access to the corresponding port true, otherwise, it can lead to danger.
- **Demand that torch retaining cap used for IHS wiring:** After the cable of plasma anode must be received a work piece, the action that detects the torch retaining cap collision and the initial positioning can work.
- **Using shielded cable wiring:** In order to protect equipment work, please use shielded cable in our equipment. You can connect shielding layer in Shielded cable to THC side and use single point grounding.
- **Voltage divide board and voltage divide ratio:** The ratio in THC is 100:1. And

effective measuring voltage in THC is 0~660V DC.

Catalogue

User Guide	iv
Read this Manual	iv
Work condition.....	iv
Maintenance	iv
Safety notice.....	v
Installation note.....	v
Chapter 1 overview	1
1.1 equipment presentation	1
1.2 Features of equipment	1
1.3 Function of equipment	2
1.4 Technique parameter	5
1.5 THC Installation size.....	5
Chapter 2 system operation	7
2.1 Operation panel button of explaining.....	7
2.2 operation panel of explaining.....	8
2.3 Menu operation explain.....	10
2.4 Motor drive current	17
2.5 Working process	17
Chapter 3 Port connection	19
3.1 The case view	19
3.2 Chassis port	20
3.2.1 CNC port	20
3.2.2 Power supply, motor and motor limit port	22
3.2.3 Arc start port and proximity switch position port	24
3.2.4 USB port	27
3.3 voltage divide port.....	29
3.3.1 arc voltage port.....	29
3.3.2 torch retaining cap detection circuit port.....	30
Chapter 4 common problems	35

Chapter 1 overview

1.1 equipment presentation

Portable Plasma Torch Height Controller type F1620 is a product which have such advantage as operate simply, stabilize property, full function and high performance ratio. It is made on basis of condition that used in plasma power source scene, and it absorb a lot of advantage of THC all around the world. Our equipment make use of peculiarity that plasma power source have constant current, check alteration of plasma torch height by checking alteration of plasma torch height, control height between torch and workpiece on time. It suit to control height of plasma power source torch which have peculiarity of constant current, or control height of plasma power source torch which have peculiarity of constant current within limit. It especially suit to torch height control of portable cutting machine.

Our equipment have such advantage as operate simply, use easily, light and portable, all buttons and knobs design by humanization, comfort and convenience.



Figure 1.1 the front panel in host(type F1620E)

1.2 Features of equipment

- Our equipment use nixie tube and LED as arc voltage and signal display, clear display, stabilization and anti-interference, long serve life.
- The parameter is able to alter by button and rotary knob in our equipment, easy to use.
- Our equipment use the installed way which have 60 degree of slope, it suit to use portable cutting machine
- Our equipment have voltage divide and make all angle shield by metal, smaller volume, better anti-interference.
- It have simple and convenient parameter which can be set, change operation parameter flexibly, suit complex working conditions.

- It can suit external working conditions by changing parameter, so we need not change hardware within equipment.
- It can change the electrical level of input signal which is useful. The input signal acquiesce in low electrical level is useful. The high electrical level is useful when we change it.
- Input and output is insulated by optocoupler, it is useful to protect equipment from damage when voltage is bigger and electromagnetism pulse is disturbed.
- The arc start relay and the arc start prosperity relay is omron power relay, so it is reliable when it work.
- It can observe the electrical level in work process.
- The different work process is mutual seal, it can avoid operate fault.
- When THC have a delay of boring a hole, it can use function which it can dynamic bore a hole after arc start is start.
- It can monitor whether arc start have been start in torch process, if it detect that arc is breaking off, the THC can inform CNC in time and turn off the arc start relay, it can avoid to cite arc for empty when arc is breaking off.
- When auto height control is proceeding, it can ensure that practical arc voltage follow setting arc voltage is closely, it hardly have error.
- When auto height control is proceeding, it also can change the arc voltage setting value, it is easy to change torch height slightly when torch is working.
- When auto height control is proceeding, collision signal can feedback for numerical control system, it can avoid that numerical control system is marching after collision.
- When auto height control is proceeding, it can use function which arc voltage can be adjusted by machine auto control
- After torch have accomplished, THC can automatic promote torch height, and height which we promote can setting casually.

1.3 Function of equipment

1) Auto initial height sensing(IHS)

The way of IHS have the detection way of proximity switch and the detection way of torch retaining cap collision.

- Proximity switch location detection

Our equipment use NPN model proximity switch (or PNP model proximity switch), proximity switch is contacting when it do not work. When down testing or arc down initially, if torch collide workpiece(or if collide workpiece make torch tilt), proximity switch will break away from, then detection voltage can check this signal, it can promote the touch height which down initially(height can change by the panel

spin button named “down height”). When proximity switch is breaking away from for long time, torch can keep straight rise until it collide upper limit of motor.

➤ Torch retaining cap collision detection

When we test collision by torch retaining cap, if torch retaining cap connect with work piece, detection voltage can be start and promote the touch height which down initially(height can change by the panel spin button named “down height”). After torch rise, torch retaining cap depart from work piece and collision signal reset at once. If torch retaining cap signal is keeping for long time, torch can keep straight rise until it collide upper limit of motor.

➤ Dual speed of IHS

After down initially, torch can descend 6 second at fastest speed (the time can change by menu), then it descend at lowest speed (the lowest speed= the fastest/4) until torch collide work piece. Two kinds of speed down can promote work efficiency, descend in appropriate height, reduce collision impact, and extend serve life of torch retaining cap.

2) Auto arc voltage height control

When it fit to start auto height control, if arc voltage do not exceed 30V which we have been set up(parameter can change by menu), the THC will start auto height control.

3) Auto torch promote after collision

When collision happen in a condition which torch and down is not working, torch can automatic promote, the time named urgency collision rise spear time. When down initially detection is working, or when collision happen within torching, auto torch promote, the time named down height time.

4) Auto torch promote after torch is accomplished

After torch is accomplished, auto torch promote, height can change by setting parameter.

5) Manual operation

Many functions can be manual operated on operation panel of THC, such as, set auto/manual mode of THC, manually control torch up and down, IHS test arc start test.....etc.

6) Auto operate

After numerical control system send arc start signal, THC can automatic accomplish down initially—arc start—arc start feedback success, after CNC receive signal which arc start feedback is successful, machine tool start to motion and incise.

7) The function of displaying and monitoring

THC display arc voltage value by using two nixie tube, the green nixie tube above equipment is used for display arc voltage setting value, the red nixie tube under equipment is used for display actual value of arc voltage. It is convenience for

user to monitor arc voltage value in incising.

8) Menu Operation

When torch is not working, parameters can be changed by panel button. Users can flexibly change speed, working way and so on.

9) Spin button operation

The panel has three spin buttons; it can change arc voltage, initial height and delay time for piercing.

10) High and low level control

Input switch can choose using low level or high level, it can suit complicated applied environment. The default level is low. Also it can be changed by menu.

11) The function of avoiding collision

When torch is working, if the lower arc voltage setting value(or nozzle loss) lead to torch collide work piece, THC can send rise signal , it can avoid torch collide work piece continually and damage work piece. When collision happen in a condition which torch is working, if collide have happened several times, we can make numerical control stop work. Before equipment leave factory, if collision is happening, CNC will make torch stop work. If user do not make collision input signal connect with CNC, so when collision happen a condition which torch is working, CNC cannot receive the collision signal, it make torch continue to work. Whatever numerical control system whether have stopped torch, when collision happened, THC can promote torch height automatically until down height initially.

When torch is not working, if torch collide steel plate, torch will automatic promote a height named urgency collision rise spear height(in general, this height is higher than down height, and this parameter can be change).

12) Intelligent arc voltage adjust

When intelligent arc voltage adjust is been use and torch is working, if torch collide continuously steel plate twice, arc voltage can increase automatically a value which we have set (this parameter can be change, it is 5V that we set), for example, if arc voltage setting value is 110V, after torch collide continuously steel plate twice, arc voltage setting value increase automatically 5V, arc voltage setting value is 115V now, it can promote torch height to avoid collide work piece when torch is working.

13) Dynamic pierce function

During torch is working, if set-pierce have delay, torch can promote a height when arc start work at the moment. Before delay time of piercing have accomplished, torch can descend a height which it is the same with promoting height. It can be named dynamic pierce function similarly. When piercing is working, torch need promote a height, it can avoid dress get into torch head. If dynamic pierce lifting times that we set is 0, torch cannot promote when arc start is working.

14) Collision signal feedback

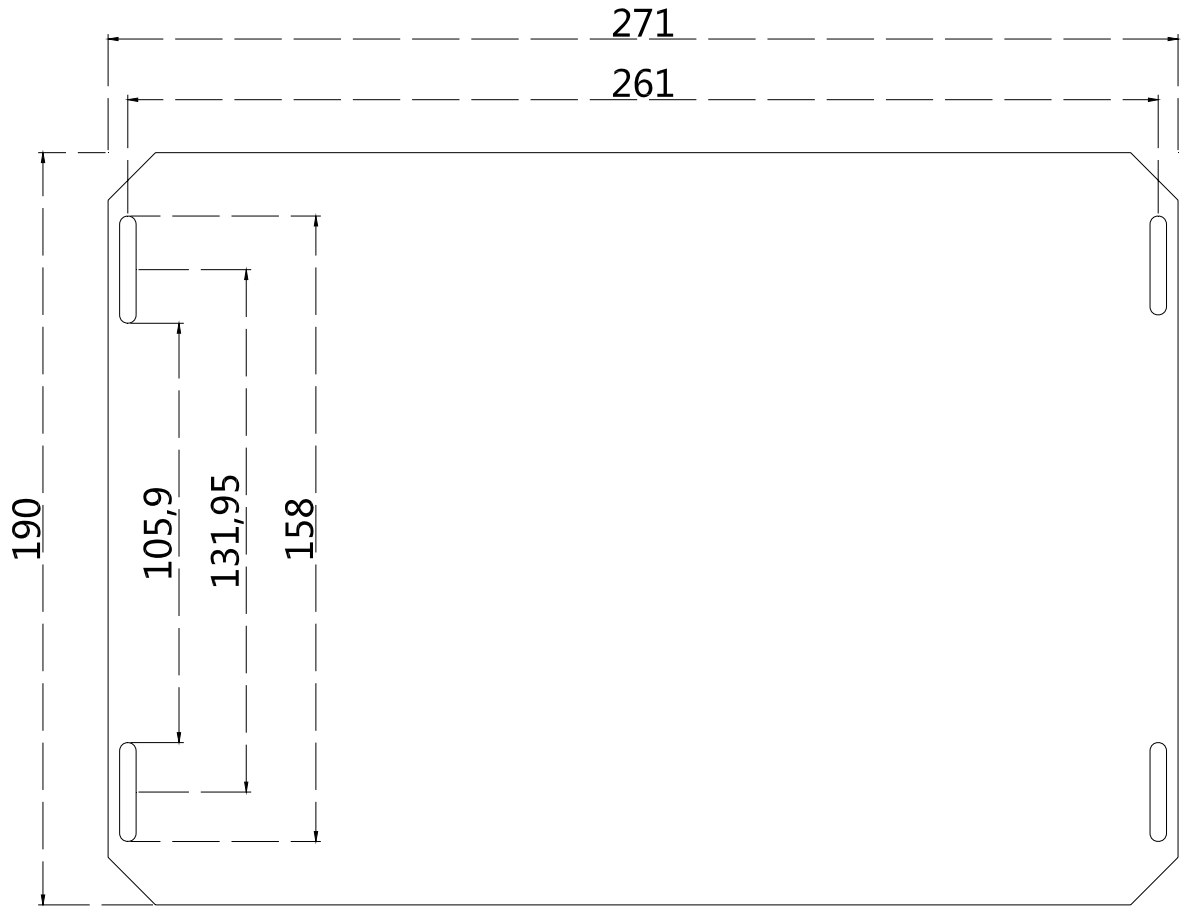
THC can make numerical control system receive collision feedback signal, it can avoid that torch is working after collision have happened. THC make CNC receive collision feedback signal after collision happened several times, it can keep coherent torch.

1.4 Technique parameter

- Work voltage: Rated DC 24V (The scope is 21.6VDC-26.4VDC)。
- Lifting motor: DC 24V.
- Motor drive: PWM.
- Output current: 0A-3A (the electric current that motor can input is 5A).
- Load capacity: 100W.
- Working temperature: 0°C~50°C.
- IHS: proximity switch of IHS.
Torch retaining cap of IHS.
- Voltage divide ratio: 100:1
- The precision of arc voltage sampling: 0.2V
- The precision of arc voltage adjust: 1V
- The speed of lifting: It determines by highest speed of lifting.
- Setting scope of arc voltage: 30V~600V, it can change by panel spin button.
- The biggest torch following speed: It determines by highest speed of lifting.
- Overload protect: auto overload、overheating、lack of voltage protect, making power source connect adversely to protect itself.

1.5 THC Installation size

- THC installation size: width 271mm, depth 190mm (it can not contain line and port in back), height 70mm。
- THC installation screw of IHS:



Chapter 2 system operation

2.1 Operation panel button of explaining

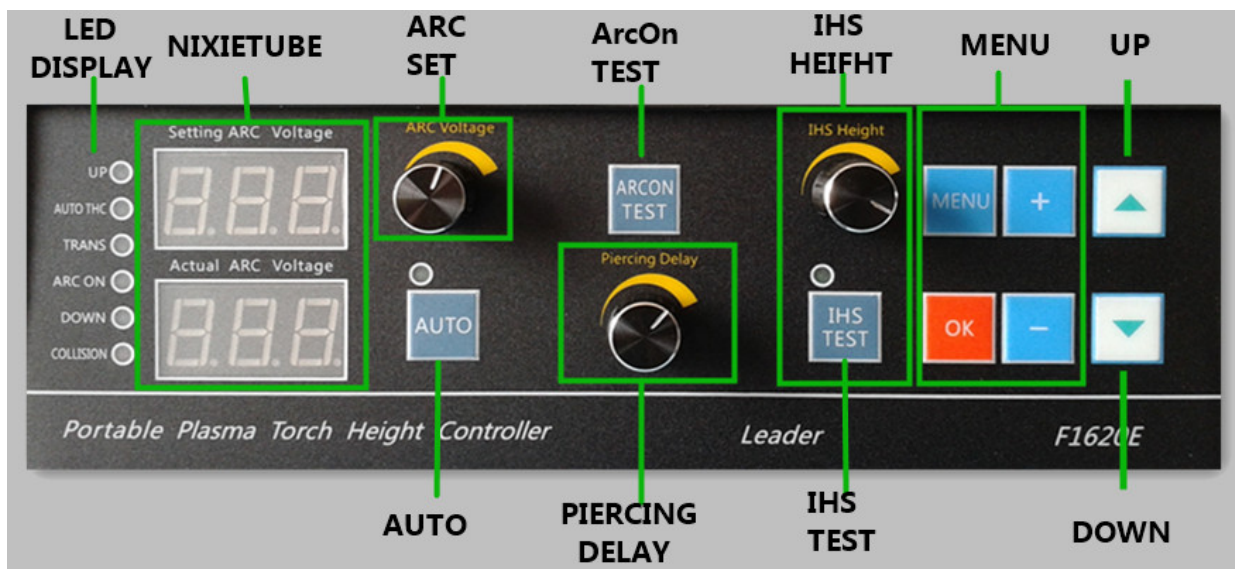


Figure 2.1 panel and button explain

【▲】: torch up button. Rising is earlier than declining.

【▼】: torch down button.

【MENU】: it is also named as **【MENU】**. Menu function button of choosing, and different condition have different function.

【OK】: it is also named as **【OK】**. After entering into menu, if this button have been pressed at the first time, the parameters are able to be modified, After modified, the parameter will be confirmed when the button is pressed at the second time.

【+】: when parameter is switching, the button can increase the parameter number progressively. When parameter is amending, the button can increase the parameter value.

【-】: when parameter is switching, the button can decrease the parameter number progressively. When parameter is amending, the button can decrease the parameter value.

【AUTO】: it is also named as **【AUTO】**, it is used for switching the condition which allow auto height control. Whenever the button have pressed, the light above the button can change condition. If the light is lighted, THC can start auto height control during torch is working. If the light is gone out, auto height control will stop work. The light is lighted when THC is

start.

【ARCON TEST】: it is also named as **【ARCON TEST】**. During torch do not work and menu operation do not use, plasma can start arc(arc start relay is closed) when button have been pressed, and it can stop start arc(arc relay is opened) when button have been loosened. If arc start button of testing is loosened, torch will lift up an height which named torch accomplishment height of putting the spear.

【IHS TEST】: it is also named as **【IHS TEST】**. IHS button of testing. During torch do not work and menu operation do not use, if the button is pressed first, THC will start IHS until down is accomplished. If the button is pressed again during down is working, or **【▲】** is pressed, down will stop work. The light above the button is lighted during IHS test. If IHS test finish, the light will go out.

2.2 operation panel of explaining

1.Displaying with Nixie tube : Arc voltage value is displayed by two nixie tubes in the front operation panel. During torch do not work and menu operation do not been used, it can display arc voltage 、 IHS 、 pierce delay value and so on. The green nixie tube is used to display arc voltage setting value; the red nixie tube is used for display actual value of arc voltage. Arc voltage setting value can be changed by turning the button named**【ARC SET】(【ARC SET】)**, and the value displayed with green nixie tube will be changed at the same time. The red nixie tube display 0 when plasma do not been working. The value displayed with red nixie tube is actual arc voltage value during plasma is working.

2.Parameter spin button of setting:

There have three spin button of spin encoding in panel.

The spin button named“ARC SET”: When menu operation do not use, arc voltage value can change by turning this spin button. If it turn clockwise, arc voltage value will increase. If it turn anticlockwise, arc voltage value will decrease. Arc voltage setting value is displayed in yellow nixie tube. When we change arc voltage setting value, it should on the basis of workpiece thickness and torch speed, it also need use parameter which offer by plasma power source. Torch height depend on Arc voltage value when torch is working.

During torch is working, arc voltage setting value also can change by spin button, and it can adjust torch height. This operation suit to adjust slightly torch height when torch is working.

The spin button named “Piercing Delay” : When menu operation do not use, turning the button can change the value of piercing delay time. If it turn clockwise, the

value of piercing delay time will increase. If it turn anticlockwise, the value of piercing delay time will decrease. When the spin button is turned, the yellow nixie tube display “Dly”, the red nixie tube display piercing delay time, the unit is second.

When THC use the piercing delay time which user set, it can send arc OK signal to CNC after piercing delay is finishing and arc voltage by sampling is effective. Some CNC have piercing delay time, but this delay is calculated when CNC receive arc OK signal. The authentic piercing delay time is the sum of piercing delay time of THC and piercing delay time of CNC. If user do not want to use the piercing delay time of THC, user can set it as zero.

The spin button named “IHS Height”: When menu operation do not use, turning the button can change height of IHS. If it turn clockwise, the height of IHS will increase. If it turn anticlockwise, the height of IHS will decrease. When the spin button is turned, the green nixie tube display “IHS”, the red nixie tube display the height of IHS. The height of IHS set by delay, the unit is second.

When menu operation do not use, two nixie tube is display arc voltage setting value. If user turn the spin button named **“Piercing Delay”** or the spin button named **“IHS Height”**, it will display corresponding character. If the spin button is not turned for a long time, the nixie tube will display arc voltage setting value.

3. Working condition indicator:

The panel have 8 LED light:

- **UP indicator:** This LED light is turned on when torch lift up.
- **AUTO THC indicator:** This LED light will be truned on when the THC is working in auto height controlling processing. If it satisfy four conditions below, the indicator will turn on:
 - 1) The indicator named **“AUTO”** is turned on.
 - 2) CNC Auto height control enables.
 - 3) THC have sampled valid arc voltage.
 - 4) The sampling arc voltage do not exceed the value added between arc setting voltage and arc protecting voltage(in general, the value is 30V and can been changed).
- **TRANS indicator:** The indicator is lighted, it means system have detected the effective arc voltage value and piercing have competed. (it is piercing delay time of THC over, it is not contain the piercing delay time of CNC)
- **ARC ON indicator:** Turn on when THC send arc start signal out. If IHS completed, this indicator is lighted when THC send arc start signal. During arc start test, the indicator is lighted.
- **DOWN indicator:** Turn on when torch lift down.
- **COLLISION indicator:** Turn on when torch touch workpiece or proximity switch effective.

- **AUTO indicator:** The indicator up the button named **AUTO** is indicated whether allowed auto height control. If the indicator is lighted, THC will allow auto height control. If the indicator is extinguish, THC will not allow auto height control. The indicator is lighted after starting up. The indicator condition will change when the button named **AUTO** is pressed.
- **IHS TEST indicator:** The indicator up the button named **IHS TEST** is lighted during IHS test, it means IHS test is working. The indicator is extinguish during other condition.

2.3 Menu operation explain

THC have concise menu, it can set some parameter and adopt to different work condition. Menu operation use the button named **MENU**, **OK**, **+**, **-** and so on. It also use two nixie tube to display parameter, the green nixie tube display parameter number and the red nixie tube display parameter value.

When user use it on the scene, parameter number and meaning can refer to concise parameter grid up the chassis.

During torch do not work, when arc start and IHS test do not work, user press the button named **MENU** can enter into the menu operation model. After it enter into the menu model, the button named **IHS TEST**, **ARCON TEST** is trashy. Only the button named **▲**, **▼** and the signal named THC_UP、THC_DN that CNC send is useful. If THC enter into the menu model, it will not test and cut.

When THC enter into the menu model, it mean THC enter into first submenu named “Pxx”(xx is parameter number), if the button named **MENU** is pressed again, THC will enter into second submenu named “Hxx”. When the button named **MENU** is pressed, THC can switch the next submenu. When it have switched the last submenu, if the button named **MENU** is pressed, it will exit the menu model. THC can test and cut until it exit the menu model. So user need exit the menu model in time after parameter have changed.

When THC switch submenu, the submenu is in a view model, it display first parameter of submenu. For example, the first parameter of first submenu is named “recover factory parameter”. The yellow LED display “P00”, the red LED display “1”.

When the submenu is in view model, pressing the button named **+** can switch the next parameter in same submenu. For example, the yellow LED display “P01”, when the button named **+** is pressed, it can display “P02”. The red LED display value of P02. When the button named **+** is pressed again, it can display “P02”, by parity of reasoning. Similarly, pressing the button named **-** can go back the last parameter successively.

When the submenu is in view model, pressing the button named **OK** can enter

into the parameter modification model. Then the red LED start flicker, it means this parameter is waiting for changing. Pressing the button named **【+】** / **【-】** can increase/decrease parameter, the value which user change will display in the parameter. After parameter have changed, user can save it by pressing the button named **【OK】** and cancel it by pressing the button named **【MENU】** .

If user save it by pressing the **【OK】** button, the red LED will stop flicker and display the value which user have change. If the parameter have be changed and user cancel it by pressing the **【MENU】** button, the red led will stop flicker and display the value which the parameter is not changed.

THC have“Pxx”“Hxx”“Lxx” three submenu.With the addition of non-menu model, it have four condition. When the button named **【MENU】** is pressed, THC can switch in four condition circularly. **Warning: During the non-menu model, if THC is testing or auto height control is working, THC will not enter into the menu model and change parameter. Similaryly, if THC have entered into menu model, it will not start test and auto height control. After the parameter have changed, user must be remember to exit menu model in time.**

“Pxx”submenu contain 21 parameters, they are“P00”~“P20”and contain sundry quantification parameter. The sundry parameter can change in this submenu.

“Hxx”submenu contain 9 parameters, they are“H01”~“H09”. It is used to check input signal is high level or low level. The sundry parameter can not change in this submenu. **Warning : During torch start to work, pressing the button named 【MENU】 can look up the level condition of input port.**

“Lxx”submenu contain 9 parameters, they are“L01”~“L09”. It can be set the input signal as high level effective or low level effective. The sundry parameter can change in this submenu.

“Pxx”submenu listing

Parameter number	Setting scope	step and length adjust	Initial parameter	Yellow LED	Red LED	Remark
P00	0-1	1	1	P00	1	Recovering factory parameter/amending parameter interval
P01	0-50	1	50	P01	50	Setting manual lift speed of torch, the minimum speed is 0, the maximum speed is 50. CNC_THC_UP also use this speed.

P02	0-50	1	50	P02	50	Setting manual descend speed of torch , the minimum speed is 0, the maximum speed is 50. CNC_THC_DN also use this speed.
P03	0-50	1	50	P03	50	Setting auto lift speed, minimum is 0,maximum is 50.
P04	0-50	1	50	P04	50	Setting auto descend speed, minimum is 0,maximum is 50.
P05	10-50	1	30	P05	30	Unit:volt(V). The value of protecting arc voltage. It can avoid torch descend rapidly because of arc voltage increase too big.
P06	1-10	1	1	P06	1	Unit:volt(V). The arc voltage precision of adjusting. For example, setting it as 1V, if D-value between setting arc voltage and practical arc voltage is under 1V, it will not start auto start.
P07	1-50	1	6	P07	6	Sensitivity coefficient, the bigger coefficient can make the sensitivity higher. But if it is too higher,torch will quiver around the balance location.
P08	0.1-9.99	0.01	2	P08	2.0	Unit: second(S). During torch do not work , the time is urgency rise spear time when torch collide the steel.
P09	3-20	1	5	P09	5	Unit: volt(V). The arc voltage value of auto adjust. During torch work, if torch collide the steel twice continuously, the arc voltage value of setting will increase this parameter automatically.
P10	0 或 1		0	P10	0	Enabling arc voltage auto adjust. When user set it as 1, it can allow arc voltage to adjust automatically.
P11	0-5	1	0	P11	0	During torch work, it allow that collision can happen several time then make THC stop to work. When user setting it as 0, if the collision happen is checked by THC, it can send a

						collision halt signal to CNC during torch work.
P12	0 或 1		1	P12	1	Switching motor contrary or positive direction of rotating. Instead of changing wiring, changing this parameter can change the motor direction of rotating.
P13	0 或 1		1	P13	1	Enable the proximity switch collision check. When user set it as 1, the proximity switch collision check is allowed.
P14	1-50	1	50	P14	50	Brake speed adjust step and length. When set it as 50, brake speed is fastest.
P15	1-100	1	100	P15	100	Speed adjust step and length when motor turn contrary. The bigger value can make reversal transition speed become more and more smaller.
P16	0.1-2	0.01	0.2	P16	0.2	Unit: Second(S). Arc voltage delay time of setting.
P17	0-10	0.1	1	P17	1.0	Unit: Second(S). The lifting time of starting up.
P18	0.1-1 0	0.1	2	P18	2.0	Unit : Second(S).The time of promoting the spear after torch have accomplished
P19	0-9.9 9	0.01	0	P19	0	Unit : Second(S).Torch lifting time when arc start start to work.
P20	0-20	0.1	6	P20	6.0	Unit : Second(S). The time of descending rapidly during the dual speed IHS.

Parameter explain particularly:

1. **P00: Recovering factory parameter.** P00 can display 1. If user set it as 0 and save this parameter, all kinds of parameter in our equipment will recover factory parameter. After user exit the submenu, they can find that P00 display 1.
2. **P01, P02, P03, P04:** Setting manul lifting and auto lifting speed of torch. The minimum speed is 0, the maximum speed is 50.
3. **P05: The value of promoting arc voltage.** During torch is cutting, if gun of

torch go through the crack of torch, arc voltage can rise immediately. If way of protecting arc voltage is not used, gun of torch will descend by fast speed. In serious condition, gun of torch and workpiece can collide by faster speed. After user set this parameter, when arc voltage exceed the value of setting, torch height will not change. It is useful to protect torch. In general, we set it as 30V.

4. **P06: The arc voltage precision of adjusting.** For example, if user set the parameter as 1V, it means when D-value between setting arc voltage and practical arc voltage is under 1V, torch height will not be adjusted. If user set the parameter as 3V means when D-value between setting arc voltage and practical arc voltage is under 3V, torch height will not be adjusted.
5. **P07: Sensitivity coefficient.** When arc voltage is changing, more and more bigger parameter can make torch adjust become more and more faster. But if parameter is too big, torch is easy to quiver around the balance location. If parameter is too small, torch can have slow follow speed. In general, we set it as 6. When user use it, it can be adjust on the basis of torch effect.
6. **P08: The time of torch rise speed urgently.** During torch do not work, when torch collide the steel, THC can use fastest speed rise speed urgently in this time.
7. **P09, P10: Setting the function of arc voltage auto adjust.** During torch is cutting, because of the arc voltage that user set is too low, or with service life of plasma pierce is decreasing, arc voltage in plasma power source can rise. If arc voltage value of setting is invariant, height will drop and it even can collide pierce after auto height control. During torch is cutting, when collision have happened, if user want to make torch promote some height and continue to cut, this function will be used by user. According to this function, THC can increase arc voltage value of setting automatically and increase torch height after collision happen twice. It can avoid torch continue collide pierce. During torch is cutting, when collision have happened, if user want to make torch promote some height and continue to cut, this function will be forbidden by user.
8. **P11: The time of allowing collision happen during torch work.** During torch is cutting, if user allow torch continue to cut after collision have happened, user can set the time of allowing collision happen by changing this parameter. For example, user set the parameter as 1. Then during torch is cutting, when first collision happen, THC can not send collision signal to CNC. But THC can make torch promote a IHS height automatically. When collision happen again, THC can send collision signal to CNC. After CNC receive this signal, torch stop to work. In other example, user set the parameter as 3. After collision happen at the fourth time, THC send collision signal to CNC and the input is TO CNC COLLISION.
9. **P12: Switching motor contrary or plus direction of rotating.** If user develop direction of motor and the button of lifting/descending is different, they enable

this parameter will change direction of motor. For example, when user set P12 as 1, if the button of lifting is pressed, motor will descend. When user set P12 as 0, if the button of lifting is pressed, motor will lift.

10. P13: **Enable the proximity switch collision test.** When user set it as 1, THC can use the proximity switch to test collision. When user set it as 0, THC can not use the proximity switch to test collision. When user set it as 1, user need make proximity switch put in THC and ensure that proximity switch is not breaking away from. Otherwise, lifting motor can rise straight because of THC can not receive the collision signal.
11. P14: **Brake acceleration.** This parameter can set deceleration time value when motor stop to work. This parameter is bigger, deceleration can become faster, the time of motor stop work can become shorter. The biggest parameter is 50.
12. P15: **Reversion acceleration.** Speed adjust step and length when motor turn contrary. When motor speed is changing or motor turn positive become turn contrary. It can change speed value by change this parameter, the bigger parameter can make reversal transition speed become more and more smaller. We set it as 100(it is the biggest value), user can adjust this parameter on the basis of specific condition when they used THC.
13. P16: **Arc voltage delay time of setting.** After arc start command is sended and delaying in this time have finished, THC start sampled the arc voltage value. This time can be used for avoiding to sample severe and waved arc voltage when arc start start to work.
14. P17: **Torch lifting time after starting up.** When THC is starting up, the time of promoting the lifting motor. It can avoid some condition that the distance between torch and workpiece is nearer. If user do not pay attention to make equipment start to work and move the torch, it will lead to happen collision. Lifting torch can avoid this accident happen after starting up.
15. P18: **The time of promoting the spear after torch have accomplished.** After torch have accomplished, torch can lift a height. When arc start test, if user loosened the button named **【ARCON TEST】** , torch can lift in this time.
16. P19: **Torch lifting time when arc start start to work.** When piercing delay time is not setted as 0, THC can used this parameter and send a commend of arc start. Arc start is working, at the same time, torch is lifting in this time. Before piercing have accomplished, torch can descend a height which it is the same with promoting height. It can named dynamic pierce function similarly. When piercing is working, torch need promote a height, it can avoid dress get into torch head. If dynamic pierce lifting times that we set is 0, torch can not promote when arc start is working.

17. P20: **The time of descending rapidly during the dual speed IHS.** During the dual speed IHS, at first, motor descend by fastest speed in this time. Then motor descend by lowest speed until collision have happened(lowest speed= fastest speed /4). If user set it as 0, motor will descend by fastest speed/4.

“Hxx”submenu listing

High/low level of input display in red LED. If LED display 0, input is low level. If LED display 1, input is high level.

Parameter number	Parameter scope	Yellow LED	Red LED	Remark
H01	0 or 1	H01	0	The signal level condition of CNC_AUTO/MANUAL
H02	0 or 1	H02	0	The signal level condition of CNC_THC_UP
H03	0 or 1	H03	0	The signal level condition of CNC_THC_DN
H04	0 or 1	H04	0	The signal level condition of CNC_IHSAON
H05	0 or 1	H05	0	The signal level condition of CNC_EXAON
H06	0 or 1	H06	0	The signal level condition of UP_LIMIT
H07	0 or 1	H07	0	The signal level condition of DN_LIMIT signal
H08	0 or 1	H08	0	The testing signal of Torch retaining cap collision
H09	0 or 1	H09	0	The testing signal of proximity switch

“Lxx” submenu listing

High level effective or low level effective of input signal is displayed in red LED. If user set it as 0, the effective level of input is low. If user set it as 1, the effective level of input is high. When low level is effective and the actual level of input signal is 0, it means this signal have happened. For example, when user set “L05” as 0 and “H05” display 0, it means this signal is useful at now. It can explain that the arc start signal which have IHS and send by CNC is useful. If “H05” display 1, it mean CNC can not send arc start signal which have IHS.

Default of input is low level effective. User can change it on the basis of actual condition.

Parameter	Parameter	Default	Yellow LED	Red LED	Remark
-----------	-----------	---------	------------	---------	--------

r number	scope	of parameter	LED		
L01	0 or 1	0	L01	0	The effective level of CNC_AUTO/MANUAL.
L02	0 or 1	0	L02	0	The effective level of CNC_THC_UP.
L03	0 or 1	0	L03	0	The effective level of CNC_THC_DN.
L04	0 or 1	0	L04	0	The effective level of CNC_IHSAON.
L05	0 or 1	0	L05	0	The effective level of CNC_EXAON.
L06	0 or 1	1	L06	1	The effective level of UP_LIMIT.
L07	0 or 1	1	L07	1	The effective level of DN_LIMIT.
L08	0 or 1	0	L08	0	The effective level of testing torch retaining cap collision signal.
L09	0 or 1	0	L09	0	The effective level of testing proximity switch signal

Note: Default of motor limit L06、 L07 is setted as 1, it means motor limit switch should be set as shut form. User can change it on the basis of actual condition. If lifting motor do not have limit switch, it do not connect line but they need set L06、 L07 as 0.

2.4 Motor drive current

This system adopts the integrated motor driver chip with protection function, it have perfect over-current,over temperature protection.

The current peak of motor drive can be up to 5A.

2.5 Working process

The cutting process with the initial positioning

When art start signal which it connect by CNC is IHSAON, THC can start IHS at first: torch can decline until collision have happened. Then torch can be promoted to the original location level and THC can send a commend to make arc start work, it make arc start relay close, plasma power source start arc start. After arc start is working successfully and piercing delay time is over, THC send a successful signal of arc start to CNC. CNC start cut, if THC is working in the automatic allow state and CNC have sent auto control height signal, THC can work in the automatic control height state. During torch work, if user pressed the button named **【AUTO】**, THC can

quit allow condition automatically. Auto control height is stopped, and torch height remain the same. If user pressed the button named **【AUTO】** again, THC will recover allow condition automatically. THC can continue control height automatically. After torch have accomplished, CNC close IHSAON signal, THC can auto make torch promote a height which we set.

The cutting process without the initial position

When art start signal which it connect by CNC is EXAON, THC can not start IHS and send a commend to make arc start work straight. It make arc start relay close, plasma power source start arc star. After arc start is working successfully, and piercing delay time is over, THC send a successful signal of arc start to CNC. CNC start cut, if THC is working in the automatic allow state and CNC have sent auto control height signal, THC can work in the automatic control height state. During torch work, if user pressed the button named **【AUTO】**, THC can quit allow condition automatically. Auto control height is stopped, and torch height remain the same. If user pressed the button named **【AUTO】** again, THC will recover allow condition automatically. THC can continue control height automatically. After torch have accomplished, CNC close IHSAON signal, THC can auto make torch promote a height which we set.

Chapter 3 Port connection

THC have voltage divide pierce in their interior, with CNC、dc motor、 arc start switch、 proximity switch, etc. Points linking piece put in the case, and the whole point of metal shielding encapsulation, voltage divide piece can be connected directly to the plasma power source arc pressure and protective cap collision detection circuit, etc.

3.1 The case view

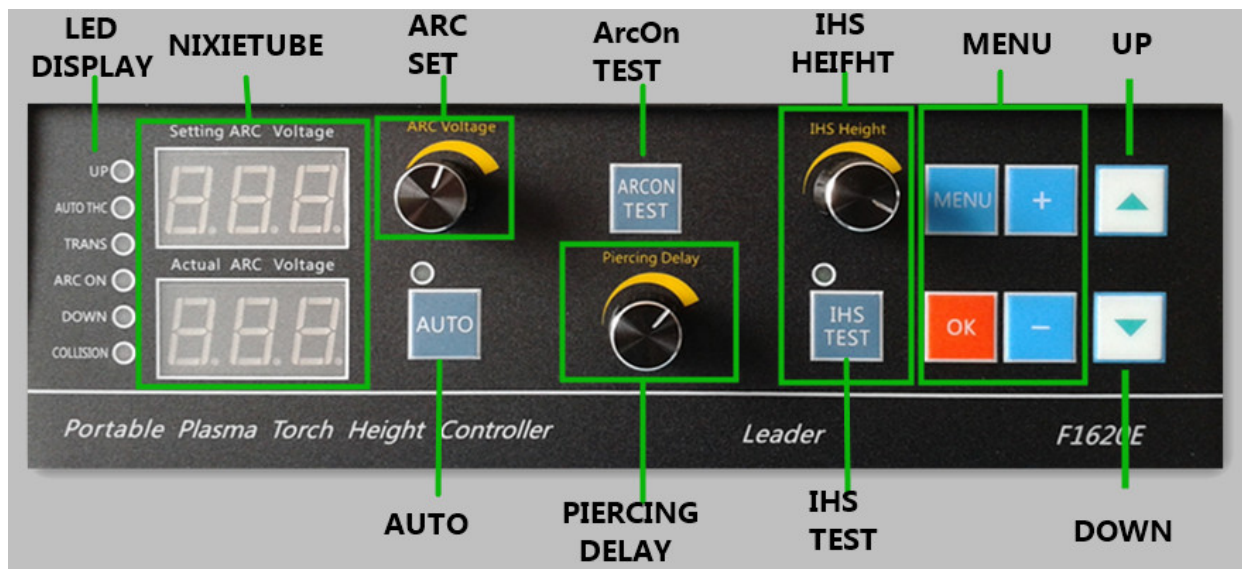


Figure 3.1 The positive view of mainframe

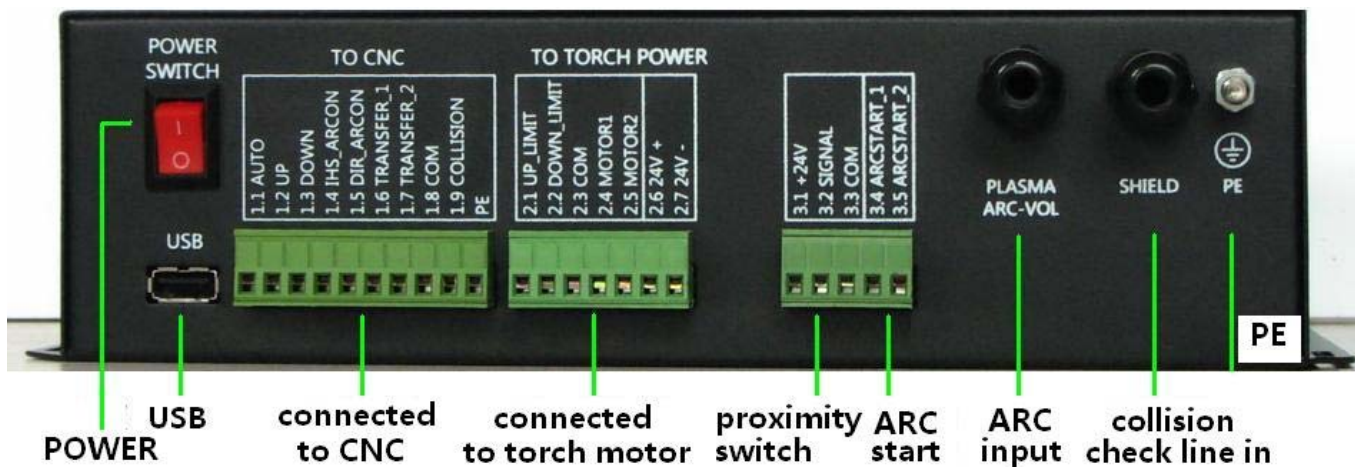


Figure 3.2 The rear view of mainframe

3.2 Chassis port

3.2.1 CNC port

THC connect with the CNC by a socket which have 10 pin, the diagram below pin definition:

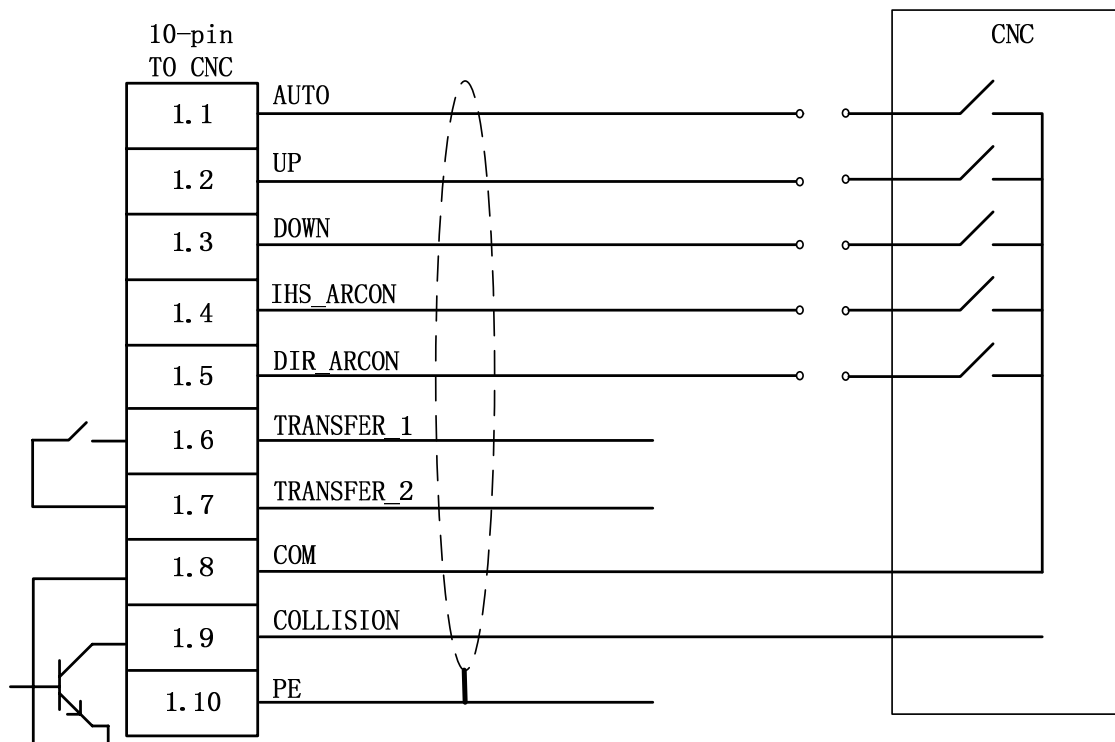


Figure 3.3 The port of connecting with CNC

Warning:

1) The signal which connected with CNC is insulated by optocoupler , and the effective level is low (user can change it to make high level effective)

2) TRANSFER_1、TRANSFER_2 are a disconnected contactor of relay. After piercing have accomplished, if CNC detect arc voltage effectively, the contactor will be close. When arc start is not effective, the contactor keep disconnected state.

The socket which have 10 pin description:

Pin numbers	signal	content
1.1	AUTO	Enabling height control automatic: in genal, the effective level is low level. It connect the signal of closing height control, the corner signal, angle of low speed signal and so on.
1.2	UP	The signal of controlling torch lift: in genal, the effective level is low level. CNC control THC by

		this port, and control torch lift.
1.3	DOWN	The signal of controlling torch decline: in genal, the effective level is low level. CNC control THC by this port, and control torch lift.
1.4	IHSARCON	The IHSARCON signal: in genal, the effective level is low level. When CNC make torch work, it can output low level to this port, THC can start IHS and make arc start work.
1.5	DIRARCON	The DIRARCON signal: in genal, the effective level is low level.
1.6	TRANSFER1	The output piercing signal of finished: after arc start have worked and piercing delay time is over, if CNC detect arc voltage effectively, it will make TRANSFER1 and TRANSFER2 close. The contactor is a disconnected contactor of relay. The port is a feedback signal which arc start have worked successfully.
1.7	TRANSFER2	
1.8	COM	Pin named 1.1、1.2、1.3、1.4、1.5、1.9 use this port as control signal com, it connect with signal of CNC.
1.9	COLLISION	Input collision signal: opened and leaky output, it need connect the load exteriorly. If THC detect signal which collision have happened, this pin will output level signal. After CNC have receive collision signal, torch can be stopped to work.

When it connect with fangling CNC(F2000), the connection diagram as follows

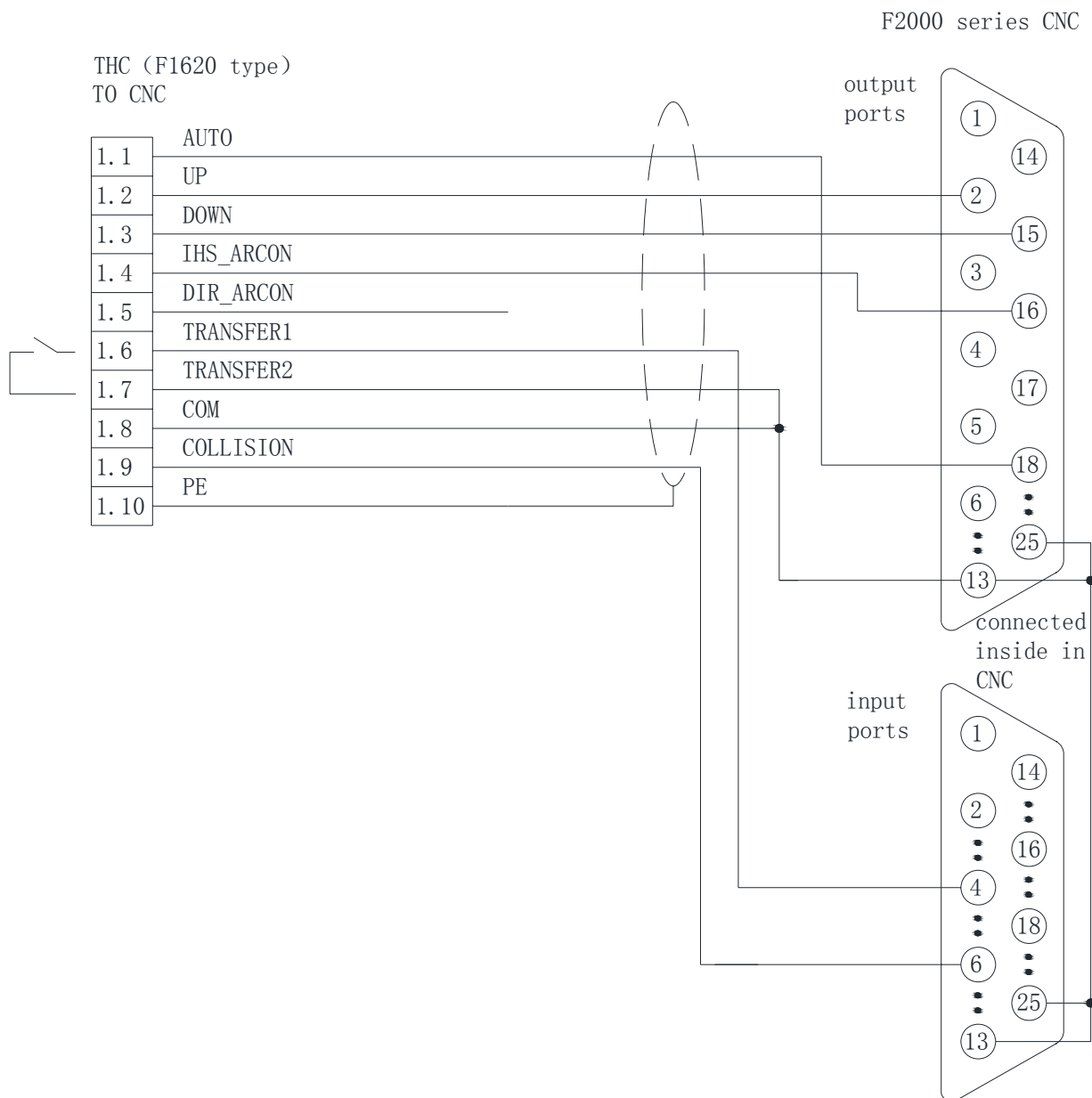


Figure 3.4 the connection diagram of connecting with fangling CNC

3.2.2 Power supply, motor and motor limit port

THC use dc 24V to provide voltage, the biggest power supply scope is 22V-34V, the power of dc 24V is depended on the motor power, the power of dc supply should be greater value-added between motor power and 5W.

Power supply port, motor and motor limit port use the same set of plug. The plug wiring defined as follows:

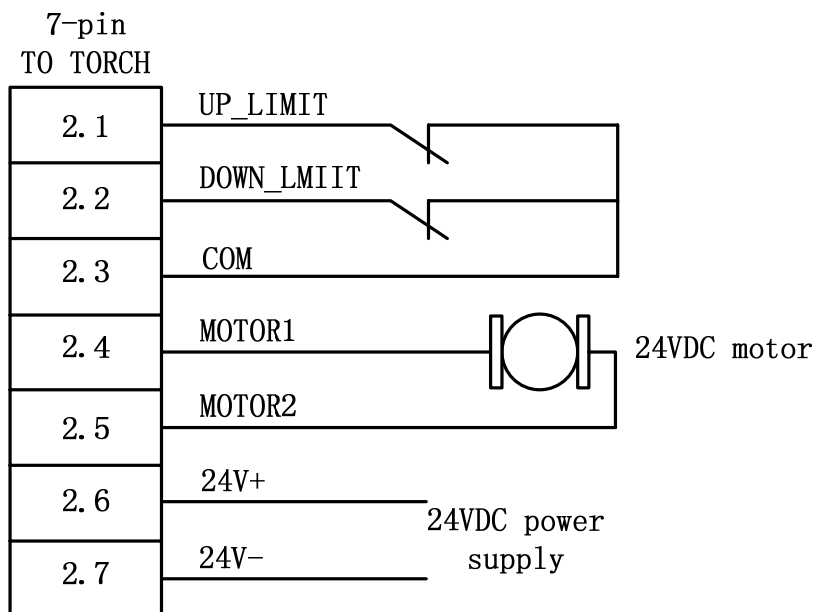


Figure 3.5 Power supply, motor and motor limit port

In genal, motor limit switch keep close. The limit switch is keep close in THC. Therefore, the parameter L06, L07 should be set as 1. If user make switch keep open, the parameter L06, L07 should be set as 0.

The socket which have 7 pin description:

Pin number	Signal	Content
2.1	UP_LIMIT	UP_LIMIT input of dc motor. When contactor keep close and limit switch do not work, pin2.1 and pin2.3 is connected. When motor have collided limit switch, limit switch start work, pin2.1and pin2.3 is disconnected.
2.2	DOWN_LIMIT	DOWN_LIMIT input of dc motor. When contactor keep close and limit switch do not work, pin2.1 and pin2.3 is connected. When motor have collided limit switch, limit switch start work, pin3 and pin5 is disconnected.
2.3	LIMIT COM	Pin2.3, limit COM
2.4, 2.5	MOTOR PORT (MOTOR1, MOTOR2)	DC motor driver output, it connect positive and negative electrode of 24V dc motor, the biggest motor power is 100W. If user want to change DC motor direction of rotation, it will be came true by exchange wiring between MOTOR1 and MOTOR2. It also will be came true by enabling parameter P12.

2.6	POWER SOURCE PORT (24V+)	The positive input dc 24V
2.7	POWER SOURCE PORT (24V-)	The negative input dc 24V

3.2.3 Arc start port and proximity switch position port

THC connect arc start switch and proximity switch by a socket which have 5 pin. Pins are defined as follows:

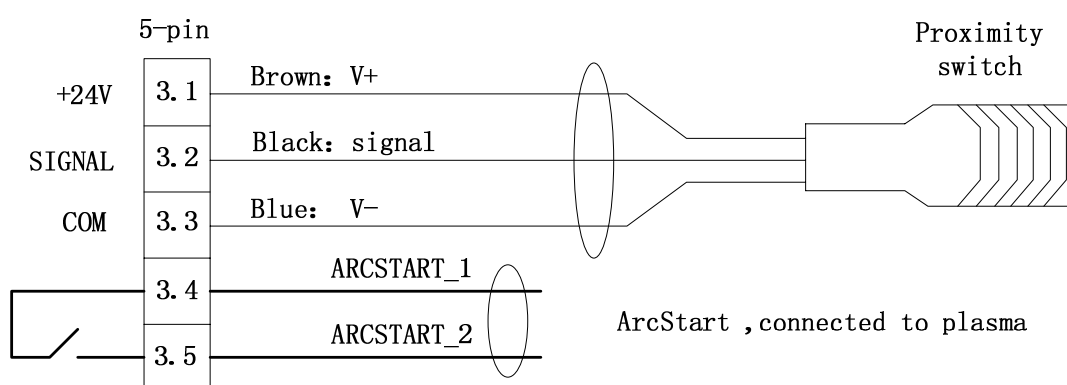


Figure 3.6 arc start relay and proximity switch port

The socket which have 5 pin description:

Pin number	Signal	Content
3.1	+24V	The power source anole of proximity switch
3.2	SIGNAL	The signal input terminal of proximity switch
3.3	COM	The power source cathode of proximity switch
3.4, 3.5	Arc start port (ARCSTART_1 , ARCSTART_2)	This is normally open contactor of relay. When CNC send arc start commend, the contactor can close and plasma power source start make arc start work.

Arc start port use normally open contacts of relay: during arc start and torch are working, relay contactor can keep close. It can keep open in other condition. The relay contactor capacity is 10A/250VAC, if work voltage and work current of arc start control circuit are exceeded this rated value, please use relay to augment capacity. Otherwise, system will not work steadily.

In side THC, A 200mA recoverable fuse is installed at the power supply of proximity switch, to avoid damage of power when proximity switch failed.

The proximity switch of THC is NPN(or PNP) type open-drain proximity switch. User can set it by the switch on voltage divide board. If the 2-bits switch is “ON”, user should use NPN proximity switch. If the 2-bits switch is “OFF”, user should use PNP proximity switch. The default set of the 2-bits switch is “ON”.

NOTICE: in the new version of hardware, the 2-bits switch is canceled. User can use NPN or PNP type open-drain proximity switches directly only by changing the “L09” parameter if needed.

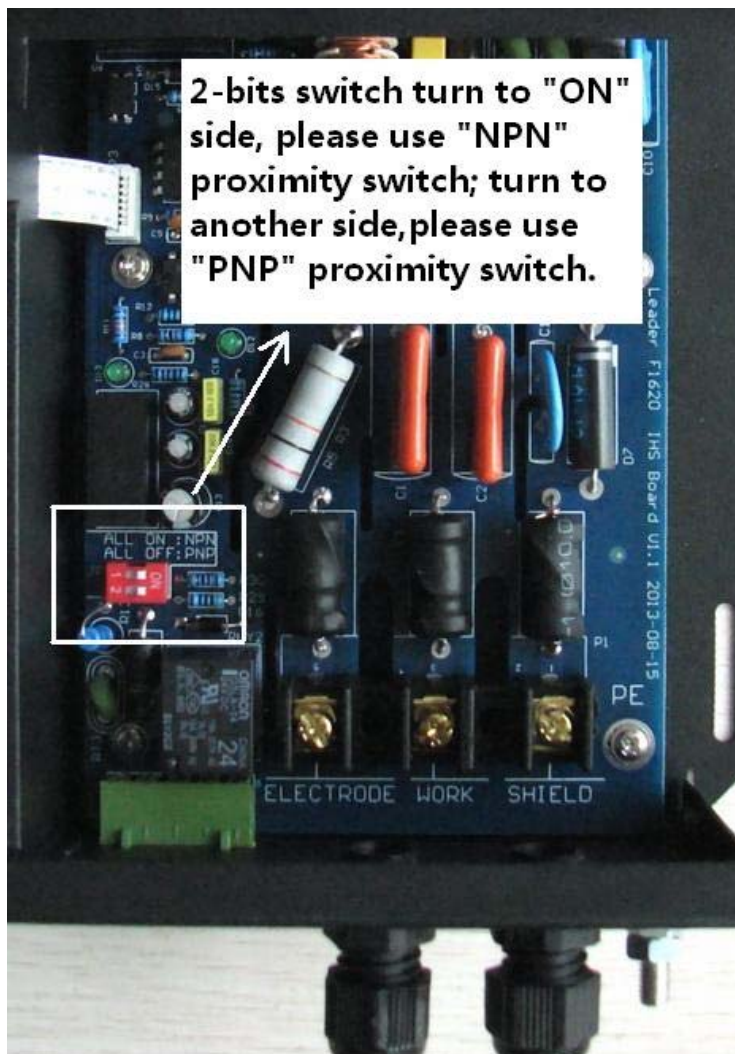


Figure 3.7 The proximity switch view upon voltage divide board

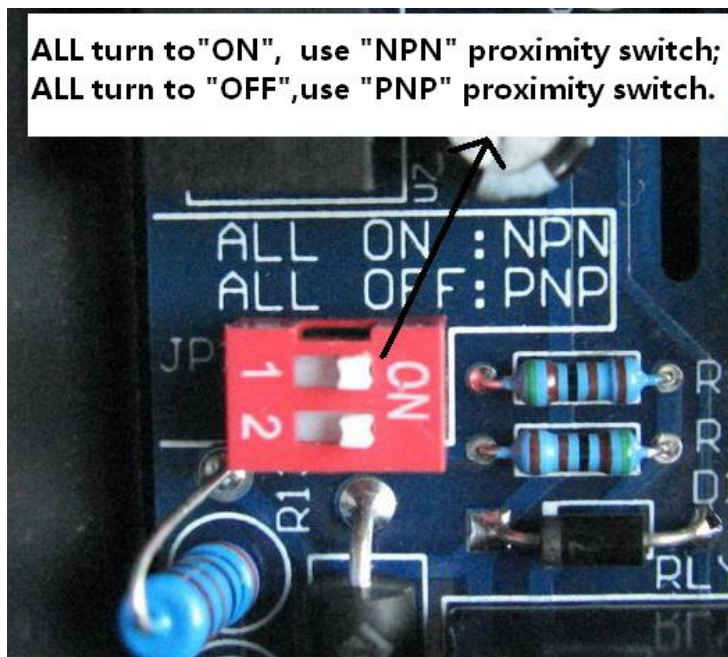


Figure 3.8 The proximity switch view upon voltage divide board

If user wants to use two NPN proximity switch, they should connect it as above drawing. Two proximity switch connection method is shown as follows. By this connection, any one of them is effective, THC can receive this signal.

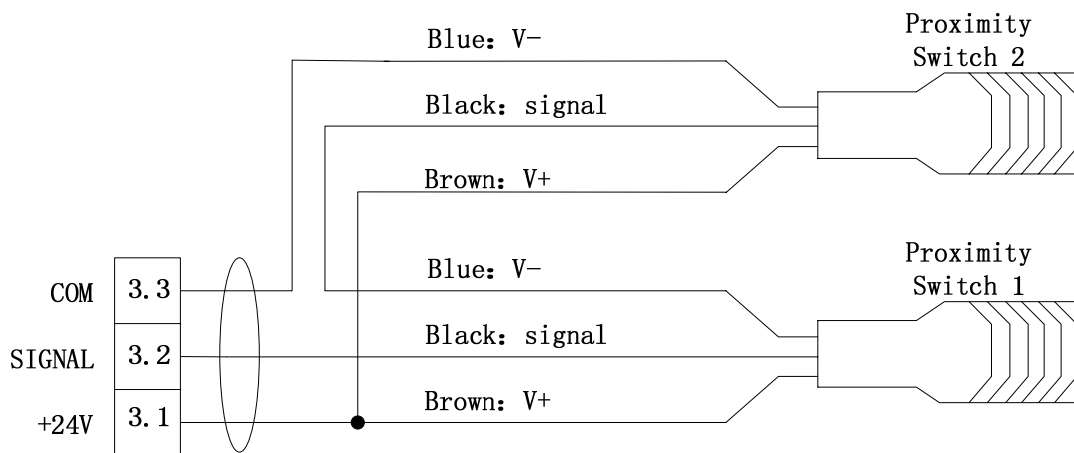


Figure 3.9 Two proximity switch connection method

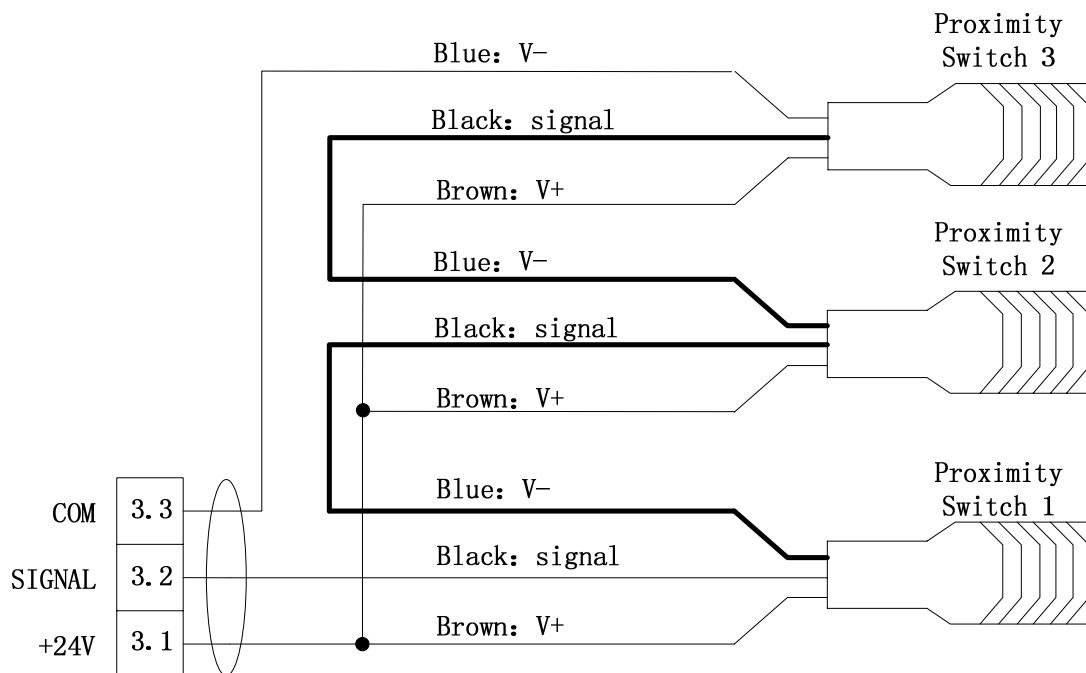


Figure 3.10 Three proximity switch connection method

Warning:

- 1) It is better for user to connect NPN proximity switch as above drawing. By this method, any one of them effective, THC can receive this signal.
- 2) When user use a NPN normally open proximity switch(or some NPN normally open proximity switch), L09 should be set as 0.
- 3) When proximity switch is breaking away from, the red indicator light of proximity switch can be . At the same time, the collision indicator in THC panel can be lighted.
- 4) In genal, if collision and torch incline do not happen, the red indicator light of proximity switch will be lighted straight.

3.2.4 USB port

THC have a function which can make firmware procedure upgrade. User can use USB flash disk, make it connect this USB port, then it can make firmware procedure upgrade.

The upgrade method:

- 1) Copying the firmware program named “pthc.bin” or “f1620.bin” to the root directory of USB flash disk.
- 2) Power off THC, and then insert this USB flash disk.
- 3) Power on THC. After THC power on, the green nixie tube may display

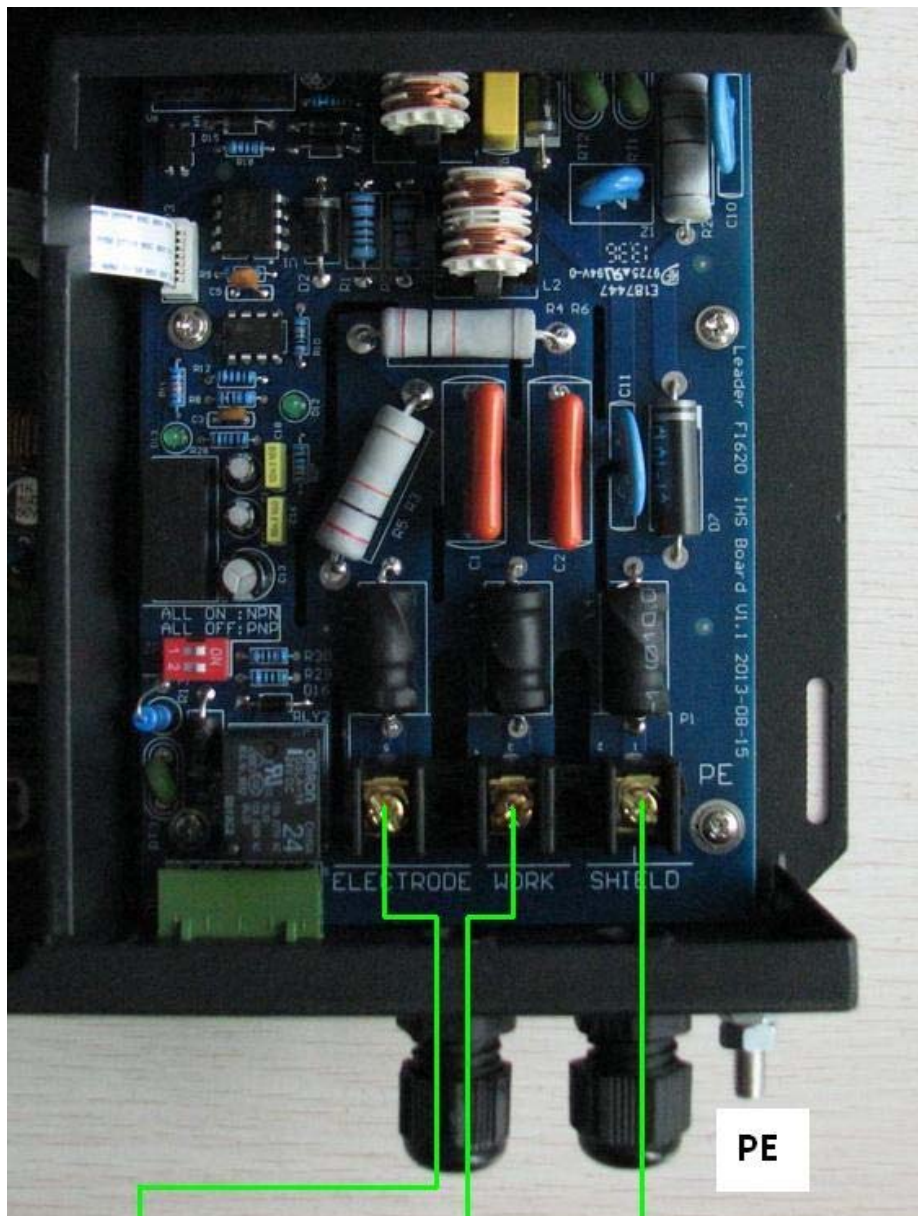
“PHC”, the red nixie tube have 3 seconds countdown. Before the end of the countdown, pressing the button named **【MENU】** can enter into the upgrade mode. At the same time, the green nixie tube can display “UPD” and start flashing, it means THC wait for confirmation to upgrade. If user do not press the button named **【MENU】** before the end of the countdown, THC will start work normally after the end of the countdown. If user do not press the button named **【MENU】** before the end of the countdown, and user presses the button named **【+】**, THC will skip the countdown and enter into the normal working condition.

- 4) When the button named **【MENU】** is pressed, after entering into upgrade model, the green nixie tube display “UPD” and start flashing, it means THC wait for confirmation to upgrade. Then if the button named **【OK】** is pressed, THC start update. At the same time, the green nixie tube display “UPD” but it do not start flashing, the red nixie tube display upgrade progress by digital form. When it display 8, it means program has been updated by 8%. When it display 16, it means program has been updated by 16%.
- 5) After pressing the button named **【MENU】** and THC have entered into upgrade model, If user do not press the button named **【MENU】** and user presses the button named **【+】**, THC will skip the upgrade condition of waiting and enter into the normal working condition. If waiting for upgrade and do not press any key, after 20 seconds, THC will end the upgrade condition of waiting and enter into the normal working condition.
- 6) When the red nixie tube displays 100, it means program has been updated by 100% and upgrade is successful. After upgrade is successful, the nixie tube display “SUC” and start flashing three times, then automatic restart THC.
- 7) After upgrade has been successful, it do not need to do any action. THC can restart automatically, then after 3 seconds countdown, THC enter into normal working condition.
- 8) After THC restart and enter into normal working condition, user can pull up USB flash disk.
- 9) After THC firmware program upgrade is accomplished, the parameter of the original set will not change and can use normally.

3.3 voltage divide port

3.3.1 arc voltage port

Portable THC (TYPE F1620) use voltage divide board to detect plasma arc voltage and torch remaining cap collision signal. The connection as follows:



ARC- :
connected
to electrode
pole of plasma

ARC+ :
connected to
work pole
of plasma

connected to
protecting shield
to check
collision

Figure 3.11 voltage divide board port and wiring

When THC detect plasma arc voltage, it detect plasma by voltage divide circuit. After arc voltage(which plasma output)/100, import it into THC mainframe. As shown above:

ELECTRODE port (the screen printing word named ELECTRODE in PCB) connect with plasma arc voltage cathode.

WORK port (the screen printing word named WORK in PCB) connect with plasma arc voltage anode.

SHIELD port (the screen printing word named SHIELD in PCB) connect with torch retaining cap collision detection wiring.

The plasma power source anode is connected with GND, cathode is connected with torch nozzle, and the voltage of nozzle is negative voltage. During torch work, the absolute value of the arc voltage is greater than 100V. Because voltage is higher and interference is bigger, it is necessary to control by quarantining voltage divide. THC voltage divide board use voltage divide circuit which ratio is 100:1, the arc voltage range which we can measure is 0V~660V.

Warning: the plasma power arc voltage sampling cable need use HVSC, plus-n-minus should not be connected contrary. If arc voltage plus-n-minus is connected contrary, auto height control will not work. Plasma power source arc voltage wiring need connect with wiring pile in plasma power source output, it do not connect with torch and work piece, it can avoid disturbing by the high frequency.

3.3.2 torch retaining cap detection circuit port

THC can have two way of IHS :

- 一、 Torch retaining cap IHS;
- 二、 Proximity switch IHS.

For torch retaining cap IHS, the torch retaining cap need connected to SHIELD port by high voltage cable. The connection as follows:

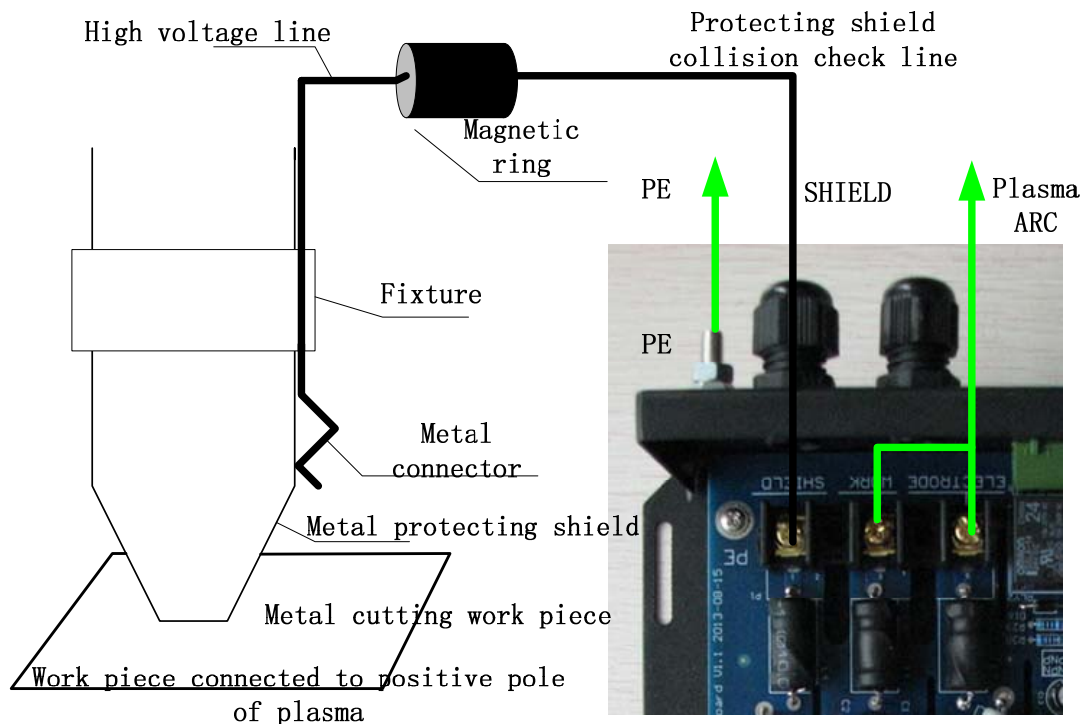


figure 3.12 voltage divide board wiring diagram

Work process: THC receives arc start signal from CNC, lifts torch down right away until torch retaining cap collide the workpiece. When retaining cap touches workpiece, collision detection circuit can be connected. THC can receive this collision signal right away and lift torch up to the set height. Then THC control plasma power source start to work.

During torch retaining cap is detecting collision, user need notice some matter:

1) Cable connect to retaining cap via “SHILED” position, at the same time, in high voltage wires, user can twine a magnetic ring near the pressure plate, and user can make cable twine some rounds in magnetic ring. It can avoid high-frequency interference which plasma arc voltage produced usefully.

2) When Cutting material and workpiece connect with plasma power source anode, they are short circuit, and ensure the circuit is low impedance. Wiring usually can accomplish it. it do not need treat specially, because it have guaranteed the short circuit when plasma power source anode and workpiece have connected.

3) GND named PE must be connected well, GND size >4mm².

4) When torch retaining cap contact with workpiece, tangent resistance <20kΩ. Otherwise, torch retaining cap collision detection circuit can not work because of impedance is too large. It is especially important for rusty steel note, if the steel rust is serious, user should clean the steel surface before torch start work, remove rust layer.

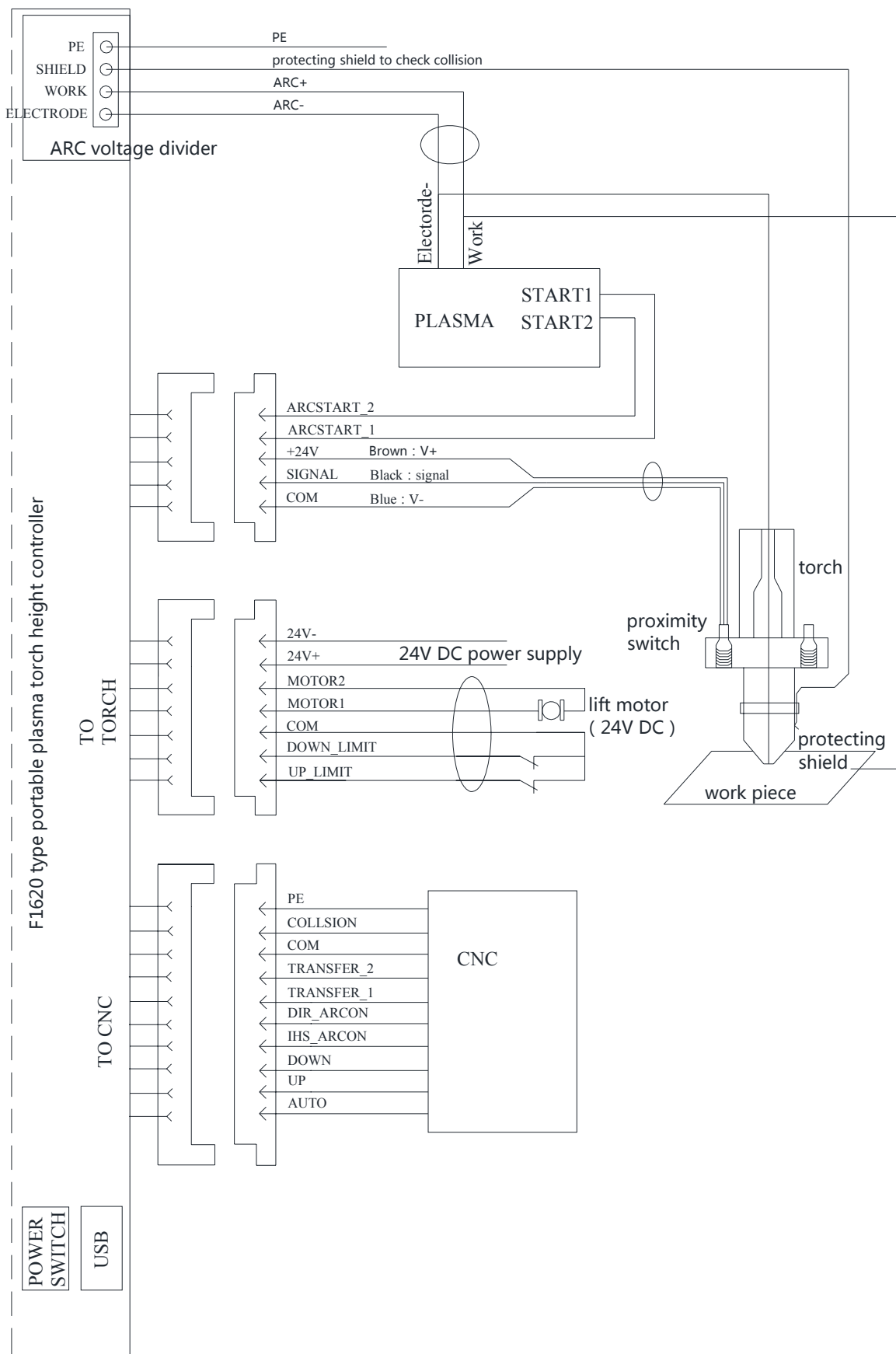
5) Torch retaining cap collision detection circuit just need a signal line of

collision detection, circuits use wiring which arc voltage sample, so it can save a high voltage cable.

Warning: Torch retaining cap collision detection circuit and the proximity switch detection circuit can work at the same time, one of them can complete positioning when they have detect collision signal. In genal, torch retaining cap IHS signal can be triggered at first and accomplish fixed position. But when workpiece have rusted oxide or have the protective insulation, torch retaining IHS is invalid. If torch retaining cap IHS can not complete, THC will use proximity switch to complete positioning.

If the wiring of torch retaining cap IHS is connected true, torch retaining cap IHS will work usefully. And user can choose whether use proximity switch on the basis of parameter. When user set parameter P13 as 1, they should use proximity switch to detect collision. When user set P13 as 0, they should not use proximity switch to detect collision.

3.4 The total wiring diagram



Chapter 4 common problems

During THC work, user can encounter some problem and solution as follows:

num ber	Fault phenomenon	Reason	Solution
1	Nixie tube do not display	Power source module have problem	Check whether the power source connection is steady.
2	Motor do not turn	Blocking signal make it lock	<ol style="list-style-type: none"> 1. Check whether UP_LIMIT/DOWN_LIMIT signal make it lock 2. Over-current protection make motor driver chip lock.
3	After motor turn, it do not work	Motor chip is protected by over-current action	<ol style="list-style-type: none"> 1. Check whether mechanical structure is stuck
4	After THC power on, the motor has been rising	Collision signal can make motor rise all the time	<ol style="list-style-type: none"> 1. Check whether proximity switch wiring is connected well, check whether parameter P13、L09 or L08 is set well. If wiring is connected true and parameter is set true, the red indicator is lighted when proximity switch close 2. Check whether proximity switch is damaged 3. Check whether torch retaining cap positioning wiring is connected well. In genal, there do not have collision signal when torch retaining cap do not contact with steel.
5	Arc voltage control is unstable		<ol style="list-style-type: none"> 1. Check whether the grounding is true. 2. Check whether plasma power source cooling water is oozed. 3. Sensitivity coefficient P07 setting is too large
6	Before IHS have accomplished, plasma can make arc start work right away	It always happen in the case of arc start signal control	Extend CNC positioning waiting time

7	After IHS have accomplished, auto arc start is closed.	Plasma power source can not start arc start, or arc start relay is not closed	<ol style="list-style-type: none"> Coming back THC arc start relay wiring, make two wiring which control plasma power source start arc start connect, observe whether plasma can make arc start work normally. If plasma can make arc start work normally, user should check whether THC arc start relay can be closed normally(when the button named 【ARCON TEST】 is pressed, arc start relay should be closed).
8	Torch can not start arc start		<ol style="list-style-type: none"> Confirming the plasma power source is working Check whether IHS height is too high(or low) Check torch part which it is easy to damage. When torch retaining cap is sensing, electrode and the nozzle have scum which made by cutting, it can make short circuit happen.
9	When CNC make torch start work, torch decline immediately.	When CNC make torch start work and arc voltage is too high, if auto height control start work, torch will decline immediately.	<ol style="list-style-type: none"> Increasing arc voltage setting value. Extending the time which CNC start auto height control need spend. Check whether the corner low speed signal of CNC or auto signal is normal, in genal, auto height control signal is not joined before torch cut a few millimeters.
10	After arc have shifted and piercing have accomplished, plasma make arc start stop to work.		<ol style="list-style-type: none"> Delay time is too long.(before torch machine move, torch stay time is too long in piercing position, plasma is easy to make arc start stop to work)
11	When auto IHS work, torch is not uplifted after it collide steel plate.	THC do not receive collision signal or IHS height is too small.	<ol style="list-style-type: none"> Check whether collision signal can work normally(check whether proximity switch or torch retaining cap can reflect the collision situation normally). If it can not reflect the collision situation normally, IHS will not be accomplished. Check whether positioning height time setting is too small, if this setting value is too

			small, gun will not be uplifted.
12	Torch is easy to collide steel plate during torch work	Arc voltage setting is too small	Increasing the arc voltage setting point
13	During auto height control work, torch is easy to vibrate	The THC sensitivity is too high	Reducing the sensitivity coefficient P07 slightly
14	When touch work in the relatively steep slope, arc voltage follow speed is too small	The THC sensitivity is too small, or lifting motor speed is too small	<ol style="list-style-type: none"> 1. Increasing sensitivity coefficient P07 slightly 2. Changing lifting motor which have faster speed
15	Arc breaking is happened during torch work, CNC do not make torch stop work right away	After plasm arc breaking have happened, arc voltage do not decline right away. After THC receive this signal, it think arc start is working normally, and do not send arc breaking signal	CNC can receive arc feedback signal which make by plasma
16	The green nixie tube display LIC after starting up	Data storage go wrong	User should post it back our factory, we can repair it.
17	When program is upgrading, after pressing the enter key, the machine do not work and do not accomplish the upgrade.	USB read-write speed does not match	<ol style="list-style-type: none"> 1. Please upgrade again after powering off . 2. Please upgrade again after replacing the USB flash disk.